



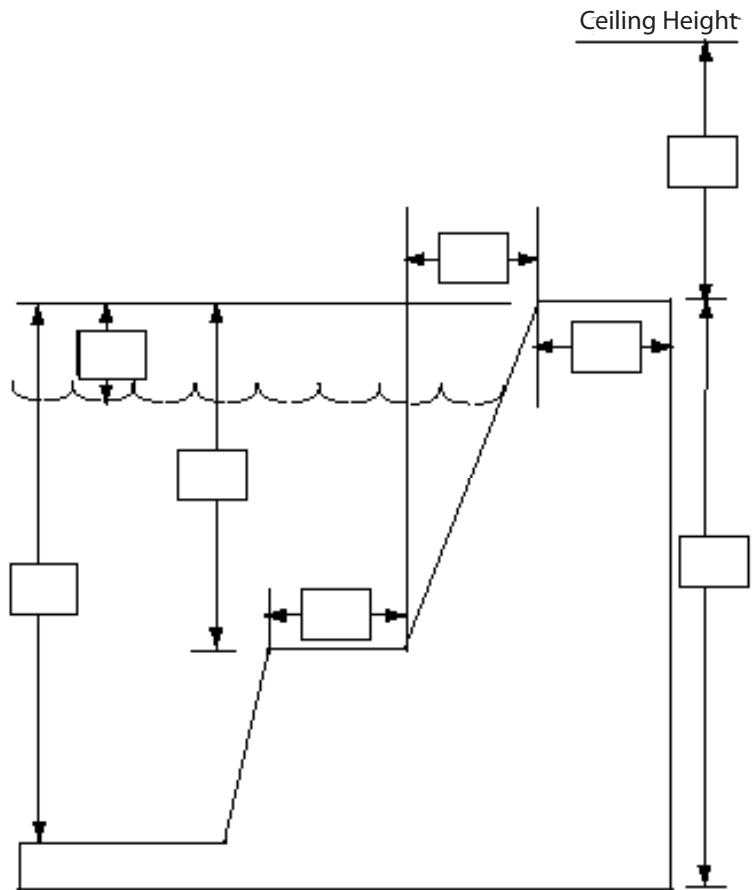
AQUATIC ACCESS INC.

DIMENSIONAL WORKSHEET for ABOVE-GROUND Pools/Spas/Tubs

If the lift is being purchased for use on a spa or above-ground pool, please supply the measurements in the boxes in the drawing to the right. Mark box with an X if measurement does not apply to your pool or spa. If our drawing is not applicable, please provide your own, with dimensions and details.

Do you want a Manual Self-Turn handle?
Additional charge will apply.
YES NO

Note: The Aquatic Access manual self-turn handle is available for AG models and IGRC models, and is typically used with right- or left- side mounted seats. Consult with our engineers to determine correct configuration to meet individual needs.



SEAT ORIENTATION FOR IGMT, IGRC, and AG (ABOVE-GROUND) LIFTS

For IGMT, IGRC and AG (Above Ground) lifts, please check desired seat orientation below:

- RIGHT SIDE-MOUNTED** -- Cylinder always to right of seat
- LEFT SIDE-MOUNTED**-- Cylinder always to left of seat
- FORWARD-FACING** -- Cylinder always behind seat - required for a spa with a built-in bench seat all around so the user's feet come down in the deeper center of the spa.



LEFT SIDE-MOUNTED SEAT



FORWARD-FACING SEAT



RIGHT SIDE-MOUNTED SEAT

CONTACT INFORMATION

Contact Person _____ Company Name _____

Address _____

Ph. _____ Fax _____ E-Mail _____

Email To: CustomerService@AquaticAccess.com or Mail or Fax Completed Form To:
AquaticAccess.com 1921 Production Drive Louisville, KY 40299 USA Ph.502.425.5817 **800.325.5438** Fax 502.425.9607